



This compact Series 4600 is a durable cam lever switch. This frame style incorporates a basic three position switch with the center position always locking. Positions 1 and 2 may be locking or non-locking, or "no throw", if only one active position is to be used.

More rugged than the Series 4700 family, these switches are specified extensively in Custom Test Equipment, Broadcasting Consoles, Traffic Control Systems and Industrial Electrical/Electronic Control Panels.

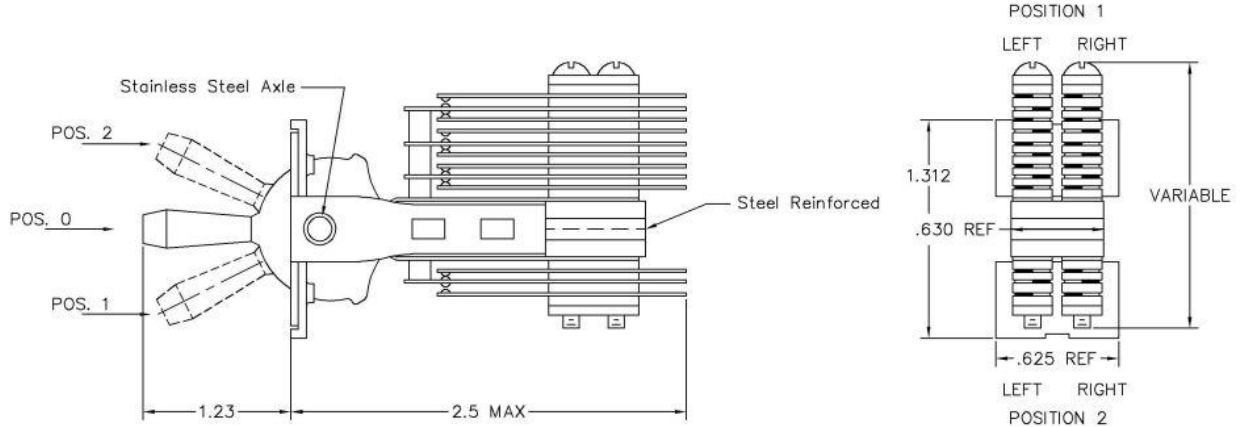
Some of the main features of the Series 4600 switch include:

- » Compact size with full circuit flexibility (up to 20 independent A Form circuits per switch)
- » Choice of two different mounting hole centers
- » Optional bifurcated contacts available - for redundancy in critical low voltage/cycle applications
- » Optional hard gold contacts for dry circuit applications
- » Mount in panel thickness up to 3/16" (.093")

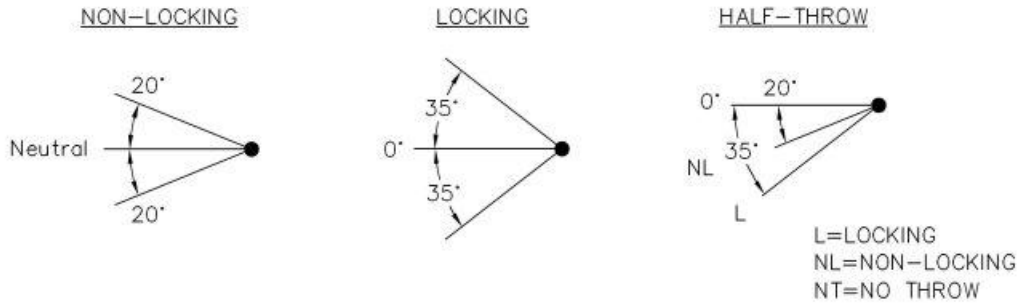
Electrical Characteristics	
Current and Voltage Ratings	3 Amps at 125 VAC (resistive) [Standard] 5 Amps at 125 VAC (resistive), Dry Circuit [Optional] 10 Amps at 125 VAC (resistive), Dry Circuit [Optional]
Dielectric Strength	500 VAC min. live metal to ground
Mechanical Specifications	
Life	100,000 cycles electrical 500,000 cycles mechanical
Contacts	3 Amp Welded Solid Palladium - .050" dia. X .020" thick head [Standard] Dry Circuit - Compound Hard Gold - .050" dia. X .020" thick head [Optional] 5 Amp Welded Solid Palladium - .078" dia. X .035" thick head [Optional] 10 Amp Staked Solid Fine Silver - .187" dia. X .031" thick head [Optional]
Temperature	-20°C to +85°C -4°F to +184°F
Lever Stops	Non Locking (NL- momentary - set at factory) No Throw (NT- used when blocking throw in one position)
Mounting	4 pcs #3-56 or #3-48 X 5/16" depending on the frame specified
Operating Force	2 to 6 lbs (not user adjustable) depending on the number of circuits being activated
Material and Finishes	
Frame	Steel, Nickel Plated with Insert Molded Steel/Thermoplastic Base Assembly
Cam	Brass with Commercial Nickel Plating, Type 303 Stainless Steel Axel
Handle	Black Delrin Standard - Other colors available upon request
Insulation	Between blades - Nema XXX Paper Reinforced Phenolic Resin Laminate (meets MIL-P3115 type PBE-P) Over screws - Nomex/Mylar Tubing
Detent Assembly	Nickel Silver Lifters and Delrin Rollers
Spring Blades	Nickel Silver with Solder Lugs, pre-tinned for ease of wiring Optional Quick Connect Taper Tab Terminals
Stack Screws	Steel with Zinc Plating
<i>Information accurate as of December 12th, 2012</i>	



Dimensions



Degree Throw

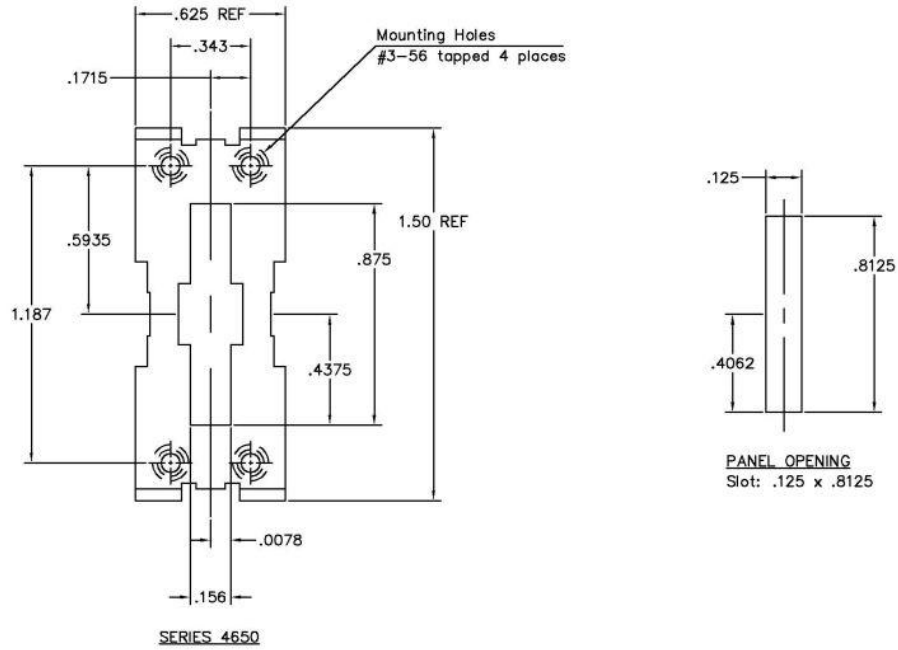


Cam Code Table

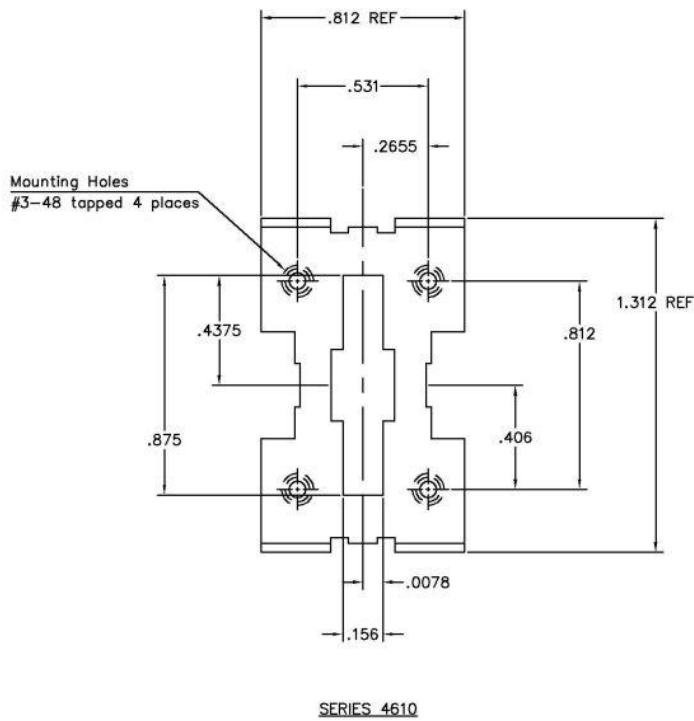
ACTION	CAM CODE
L-L-L	Z5
L-L-NL	Z4
NL-L-NL	Z3
L-L-NT	Z2
NL-L-NT	Z1



Mounting



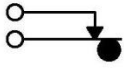
Mounting Screws - 4 pcs. #3-56 x 5/16
supplied with each switch



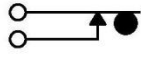
Mounting Screws - 4 pcs. #3-48 x 5/16
supplied with each switch



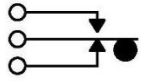
Contact Forms Available



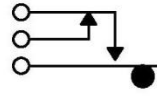
A



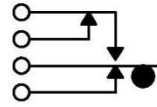
B



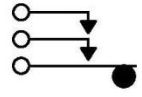
C



D



E



H