



The Entech Series 5500 is a High Contact Density Family of push button switches. Either single or double sets of contact spring pile-ups may be mounted on both sides of the frame which provides extensive circuit switching flexibility. The momentary action is push only, pull only, or push/pull. Please contact the factory for further details.

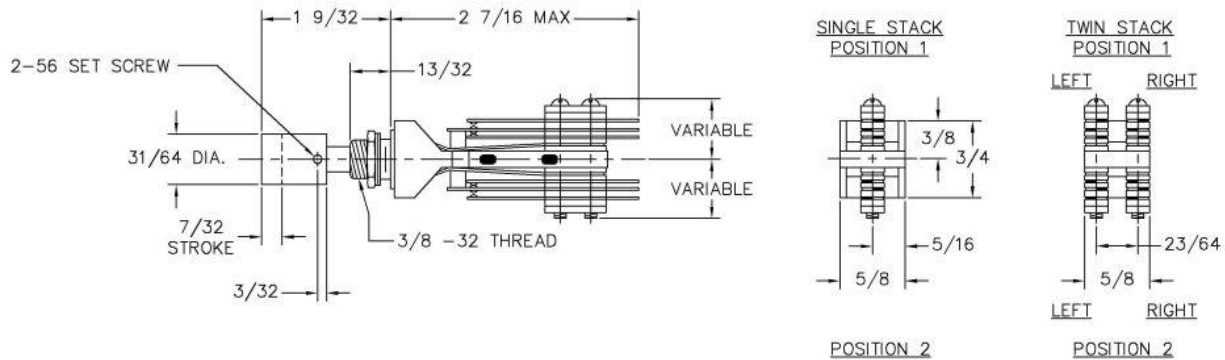
**Some of the main features of the Series 5500 switch include:**

- »High density circuit capability - up to 20 independent A Form circuits per switch
- »Contact ratings from dry circuit to 5 Amps at 125 VAC (resistive)
- »Rugged brass frame with anti-pull-through bushing design
- »Mounts in panels from .050" to .250" and a variety of Mosaic Grid & Tile Systems
- »Optional bifurcated contacts available for redundancy in critical low voltage/cycle applications

Electrical Characteristics	
Current and Voltage Ratings	3 Amps at 125 VAC (resistive) [Standard] 5 Amps at 125 VAC (resistive), Dry Circuit [Optional]
Dielectric Strength	500 VAC min. live metal to ground
Mechanical Specifications	
Life	100,000 cycles electrical 500,000 cycles mechanical
Contacts	3 Amp Welded Solid Palladium - .050" dia. X .020" thick head [Standard] Dry Circuit - Compound Hard Gold - .050" dia. X .020" thick head [Optional] 5 Amp Welded Solid Palladium - .078" dia. X .035" thick head [Optional]
Temperature	-20°C to +85°C -4°F to +184°F
Mounting	Includes one 3/8" hexnut, lock washer and flat washer
Operating Force	1 to 3 lbs depending on the number of circuits being activated
Material and Finishes	
Frame	Brass with Commercial Nickel Plating - Insert Molded Steel/Thermoplastic Base Assembly
Shaft	Brass with 303 Stainless Cam Pin
Button	Black Delrin Standard - For other colors, styles and engraving, contact the factory
Insulation	Between blades - Nema XXX Paper Reinforced Phenolic Resin Laminate (meets MIL-P3115 type PBE-P) Over screws - Nomex/Mylar Tubing
Detent Assembly	Formed Nickel Silver Lifters and Nylon or Delrin Rollers
Spring Blades	Nickel Silver with Solder Lugs, pre-tinned for ease in wiring Optional Quick Connect Taper Tab Terminals
Stack Screws	Steel with Zinc Plating
<i>Information accurate as of December 12th, 2012</i>	



### Dimensions

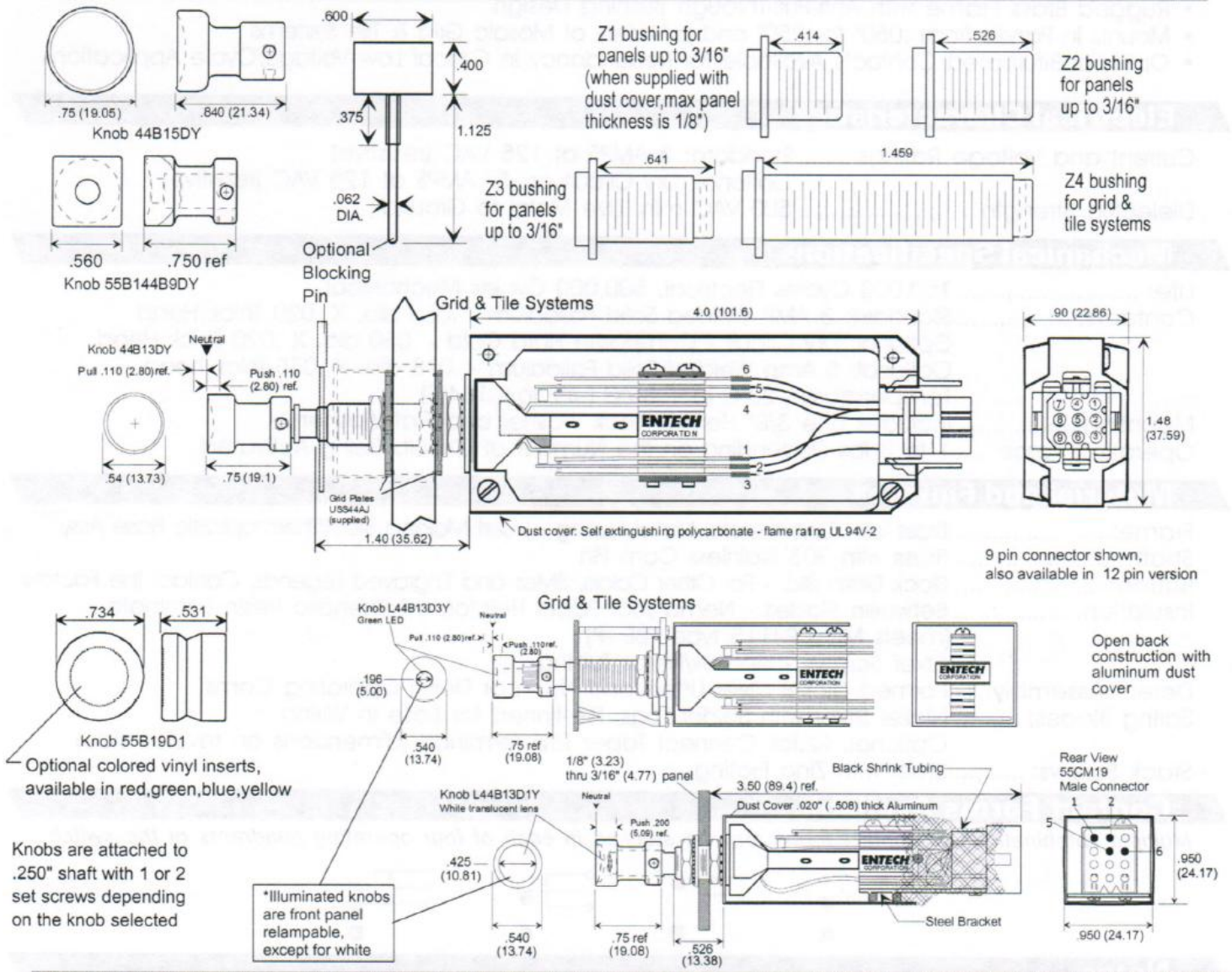


### Series Chart

Number	Button Action	Contacts Activated
5500	Momentary Push Only	All Contacts Specified in Pos 1 & Pos 2
5501	Push & Latch	All Contacts Specified in Pos 1 & Pos 2
5503	Momentary Pull Only	All Contacts Specified in Pos 1 & Pos 2
5504	Momentary Push-Pull	Push – Pos 2 Pull – Pos 1

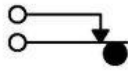


### Mounting





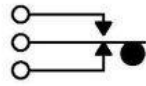
Contact Forms Available



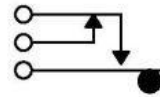
A



B



C



D